



GRAND-DUCHÉ DE LUXEMBOURG

Ministère du Développement durable  
et des Infrastructures  
Département des Transports

L-2938 Luxembourg

SOCIÉTÉ NATIONALE DE  
CERTIFICATION ET D'HOMOLOGATION

s.à r.l.

Registre de Commerce: B 27180



L-5201 Sandweiler

Référence: E13\*44R00\*44R04\*5070\*00

Annexes: - Rapport Technique  
- Fiche de Renseignements du constructeur

Sandweiler, le 13 décembre 2010

Communication concernant: (\*\*/-9)

Communication concerning:



- la délivrance d'une homologation

approval granted

- l'extension d'homologation

approval extended

- le refus d'homologation

approval refused

- le retrait d'homologation

approval withdrawn

- l'arrêt définitif de la production

production definitely discontinued

des dispositifs de retenue pour enfants à bord des véhicules à moteur, en application du Règlement N° 44.  
of restraining devices for child occupants of power-driven vehicles, pursuant to Regulation N° 44.

Numéro d'homologation:

Approval number:

E13\*44R00\*44R04\*5070\*00

Marque d'homologation:

Approval mark:

universal



9 - 18 kg Y

15 - 36 kg

045070

1.1. Dispositif de retenue pour enfants: (\*\*/-9)

Child restraint system:

Forward-facing child restraint /

~~Rearward-facing child restraint~~ / carry cot

1.2. Coussin d'appoint: (\*\*/-9)

Booster cushion:

Integral / non-integral / ~~partial~~ / booster cushion

1.3. Type de ceinture: (\*/-8)(\*\*/-9)

Belt type:

(Adult) three-point belt / ~~(adult) lap belt~~ / ~~special type belt~~

/ ~~retractor~~

1.4. Autres caractéristiques: (\*\*/-9)

Other features:

Chair assembly / ~~impact shield~~

2. Marque de fabrique ou désignation commerciale:

Trade name or mark:

Becare

3. **Désignation du dispositif de retenue pour enfants par le fabricant:**  
Manufacturer's designation of the child restraint: Type: BXS-208
4. **Nom du fabricant:**  
Manufacturer's name: Ningbo Xiangshuo Children Product Co., Ltd.  
No. 11, Mayu Road, Shengnan Village, Shengshan Town,  
Cixi, Ningbo City, Zhejiang Province,  
P.R. CHINA
5. **Eventuellement, nom de son représentant:**  
If applicable, name of his representative: Not applicable
6. **Adresse:**  
Address: Not applicable
7. **Présenté à l'homologation le:**  
Submitted for approval on: 24.11.2010
8. **Autorité déléguée:**  
*Assigned authority:* *Société Nationale de Certification et d'Homologation  
L-5201 Sandweiler*
- Service technique chargé des essais d'homologation:**  
Technical service conducting approval tests: Luxcontrol S.A.  
B.P. 349  
L-4004 Esch-sur-Alzette
9. **Type de dispositif: (\*\*/-9)**  
Type of device: ~~deceleration~~ / acceleration
10. **Date du procès-verbal délivré par ce service:**  
Date of test report issued by that service: 13.12.2010
11. **Numéro du procès-verbal délivré par ce service:**  
Number of test report issued by that service: LCA 51 0818 003 10
12. **L'homologation est: (\*\*/-9)**  
Approval: Granted / ~~refused~~ / ~~withdrawn~~
- pour l'utilisation pour les groupes:**  
for use in groups: 0 / 0+ / I / II / III
- et pour un usage:**  
and for use: Universal / ~~semi-universal~~ / ~~restricted~~ / ~~specific vehicle~~ / ~~special needs restraint~~
- position dans le véhicule:**  
position in vehicle: On front or rear seat
13. **Emplacement et nature du marquage:**  
Position and nature of the marking: Sticker, on the bottom of booster cushion

14. **Lieu:** Sandweiler  
Place:
15. **Date:** 13 décembre 2010  
Date:
16. **Signature:**  
Signature:

Pour le Département des Transports



**Marco FELTES**  
Inspecteur Principal

Pour la SNCH



**Claude LIESCH**  
Directeur



17. **Sont annexées à la présente communication, les pièces suivantes, qui portent le numéro d'homologation indiqué ci-dessus:**

The following documents, bearing the approval number shown above, are attached to this communication:

- **dessins, schémas et plans du dispositif de retenue pour enfants, y compris le rétracteur, l'ensemble de siège, l'écran anti-choc, s'ils existent;**
- drawings, diagrams and plans of child restraint, including any retractor, chair assembly, impact shield fitted;
- **dessins, schémas et plans de la structure du véhicule et de la structure du siège, ainsi que du système de réglage et des attaches, y compris l'absorbeur d'énergie, s'il existe;**
- drawings, diagrams and plans of the vehicle structure and the seat structure, as well as the adjustment system and the attachments, including any energy absorber fitted;
- **photographies du dispositif de retenue pour enfants et/ou de la structure du véhicule et de la structure du siège;**
- photographs of child restraint and/or vehicle structure and seat structure;
- **instructions pour l'installation et l'emploi;**
- instructions for fitting and use;
- **liste des modèles de véhicules sur lesquels le dispositif de retenue est destiné à être utilisé.**
- list of vehicle models for which the restraint is intended.

See index to type-approval report

**Modifications faisant l'objet de la présente extension:**

Reasons for extension:

*Not applicable*

(\*/-8) **Indiquer le type, et si celui-ci est conforme aux prescriptions du Règlement No. 16 ou aux dispositions du présent Règlement.**

Indicate type, and whether it complies with Regulation No. 16 or with the requirements of this Regulation.

(\*\*/-9) **Biffer la mention inutile**

Strike out what does not apply



GRAND-DUCHÉ DE LUXEMBOURG

Ministère du Développement durable  
et des Infrastructures  
Département des Transports

L-2938 Luxembourg

SOCIÉTÉ NATIONALE DE  
CERTIFICATION ET D'HOMOLOGATION

s.à r.l.

Registre de Commerce: B 27180



L-5201 Sandweiler

**Référence:** E13\*44R00\*44R04\*5070\*00

**Annexes:** - Rapport Technique  
- Fiche de Renseignements du constructeur

Sandweiler, le 13 décembre 2010

### Index du dossier d'homologation

Index to type-approval report

	<b>Numéro d'homologation:</b> Approval number:	E13*44R00*44R04*5070*00
	<b>Révision:</b> Revision:	00
	<b>Marque de fabrication ou de commerce:</b> Trade name or mark:	Becare
	<b>Type:</b> Type:	BXS-208
1.	<b>Procès-verbal d'essai:</b> Test report:	No. LCA 51 0818 003 10
	- Technical report:	Page 1 to 10;
	- Index:	Annex A – Page 1.
2.	<b>Dossier du constructeur:</b> Report of the manufacturer:	Annex B
	- Content:	Refer to Annex A in Technical Report
3.	<b>Autres documents annexés:</b> Other documents annexed:	Not applicable
4.	<b>Date de délivrance de l'homologation initiale:</b> Date of issue of initial type approval:	13.12.2010
5.	<b>Date de la dernière délivrance de pages révisées:</b> Date of last issue of revised pages:	Not applicable
6.	<b>Date de la dernière délivrance d'une homologation révisée:</b> Date of last extension:	Not applicable

## TECHNICAL REPORT

No.: LCA 51 0818 003 10

Inspection concerning the

### **Restraining Devices For Child Occupants Of Power Driven Vehicles ("Child Restraint Systems")**

performed according to

**ECE – Regulation No. 44**

Type: **BXS-208**  
Manufacturer: **Ningbo Xiangshuo Children Products Co., Ltd.**  
**No. 11, Mayu Road, Shengnan Village, Shengshan**  
**Town, Cixi, Ningbo City, Zhejiang Province,**  
**P.R. CHINA**

**Extension -- to ECE Type Approval no.: E13\*44R00\*44R04\*-\*00**

#### **Index:**

1. General	2
2. Inspections and their results	3
3. Evaluation of test results	9
4. Statement of compliance	10
5. Annex (beginning with an index)	

A reproduction of this report and its annexes, except in full, is prohibited without the written permission of Luxcontrol s.a.

...



**1. General**

**1.1. Test Provisions**

The inspection was carried out according to the requirements of ECE-Regulation No. 44 including Corrigendum 3 to revision 2, Supplement 4 to the 04 series of amendments, entered into force on November 11, 2009.

**1.2. Information concerning the vehicle type and the requested approval**

The statements below apply to the previous ECE type-approval as referred to on page 1.

**1.2.1. [] Numbering according to the communication concerning the approval of ECE-R44**

[1.1] Forward-facing child restraint / ~~Rearward-facing child restraint~~ / ~~carry cot~~:

[1.3] Type of belt: (adult) three-point belt / ~~(adult) lap belt~~ / ~~special belt~~ / ~~retractor~~

[1.4] Other features: chair assembly / ~~impact shield~~

Mass group	Category	[1.2]
<b>I</b>	<b>Universal</b>	<b>Integral Child restraint system</b>
<b>II,III</b>	<b>Universal</b>	<b>Non-integral Child restraint system</b>
<b>III</b>	<b>Universal</b>	<b>Booster cushion</b>

[2.] Trade name or mark:

**Becare**

[3.] Manufacturer's designation of the child restraint:

Type: **BXS-208**

[4.] Manufacturer's name and address:

**Ningbo Xiangshuo Children Products Co., Ltd.  
No. 11, Mayu Road, Shengnan Village, Shengshan Town, Cixi, Ningbo City, Zhejiang Province, P.R. CHINA**

[5.] [6.] If applicable, name and address of manufacturer's representative:

**Not applicable**

[7.] Submitted for approval on: **Nov 24, 2010**

[9.] Type of device: acceleration / ~~deceleration~~



[12.] Approval is required for use in group(s): ~~0/0+/ I / II / III~~  
For use: **universal** / ~~semi-universal / restricted / specific vehicle /~~  
~~special needs restraint~~

[13.] Position and nature of the marking:  
**Sticker, on bottom of booster cushion**

**2. Inspections and their results**

**2.1. Version of the tested equipment**

The following variants have been used for testing (if not stated in part 1.2.1. of this report):

- group I, group II, group II

**2.2. Inspection items**

	Location of test:	Date of receipt of test item:	Date of test:	Inspector
Main	Tianjin Automotive Test Center Tianshanlukou, Chenglinzhuangdao, Tianjin, China	Nov 24, 2010	Nov 24, 2010	B. Cheng

**[ ] Numbering according to the ECE-regulation**

[6.] General specifications:

[6.1.] Positioning and securing on the vehicle

[6.1.1.] Restraints fitted in conformity with manufacturer’s instructions

**Requirements fulfilled**

[6.1.2.] Use of child restraints in “specific vehicle” category

**Not applicable**

[6.1.3.] to [6.1.3.7.] Securing of child restraints to anchorage’s on the vehicle structure or seat structure

**3-point seat belt: front or rear seat**  
**2-point (lap) seat belt: not applicable**

[6.1.4] Use of booster cushion

**Booster cushion restraint by:**  
**Adult belt: front or rear seat**  
**Other means: not applicable**

**The test following item 8.1.4 of ECE R44 was fulfilled**



- [6.1.5.] to Toxicity and flammability
- [6.1.6.] **Requirements fulfilled (see information document)**
- [6.1.7.] Rearward-facing child restraints supported by vehicle dashboard  
**Not applicable**
- [6.1.8.] to Adjustment configuration on dynamic test bench  
[6.1.9.]  
**Requirements fulfilled**
- [6.1.10.] Child restraints of group 0 or 0+ not to be used forward facing  
**Not applicable**
- [6.2] Configuration
- [6.2.1.] to Adjustment configuration on dynamic test bench  
[6.2.1.5.] Configuration, protection, installing and removing, setting, preventing of submarining of the child restraints  
**Requirements fulfilled**
- [6.2.2.] Restraint devices for group I, II, III, ensure transmittance of load by “lap strap” though the pelvis  
**Requirements fulfilled**
- [6.2.3.] Placing of the straps to avoid discomfort or dangerous configurations  
**Requirements fulfilled**
- [6.2.4.] Assembly and design to avoid excessive stress to weak parts of child’s body
- [6.2.4.1.] Y-shaped belt only for rearward facing restraints systems  
**Not applicable**
- [6.2.5.] to Installation and design of the child restraint system  
[6.2.5.4.]  
**Requirements fulfilled**
- [6.2.6.] Design to avoid risk of incorrect assembly  
**Requirements fulfilled**
- [6.2.7.] Minimum height of chair back for group I, II  
**Requirements fulfilled**
- [6.2.8.] Use of automatically or emergency-locking retractors  
**Not applicable**
- [6.2.9.] For group I, difficulty for child to slacken the device to restrain the pelvis  
**Requirements fulfilled**





[6.2.10.] Child restraints designed for use of more than one mass group

**Requirements fulfilled**

[6.2.11.] Child restraints with retractor

**Not applicable**

[6.2.12.] Fixture points of booster cushion

**Requirements fulfilled**

[6.2.13.] Child restraints for more than one child

**Not applicable**

[6.2.14.] Child restraints with inflatable elements

**Not applicable**

[6.3.] ISOFIX restraint specification

**Not applicable**

[6.4.]- [6.4.1.] Control of Markings

**Requirements fulfilled**

[6.5.]- [6.5.1.] Control of Instructions on Installation and the Instructions for Use

**Requirements fulfilled**

[7.1.1.] Resistance to corrosion

**Requirements fulfilled**

[7.1.2.] Energy absorption

**Requirements fulfilled**

[7.1.3.] Overturning

Configuration	Mass of manikin [kg]	Vertical movement of manikin's head [*]			
		Front [mm]	Rear [mm]	Left [mm]	Right [mm]
Integral Class (Group I)	9	50	80	65	120
	15	60	40	65	60
Non-Integral Class (Group II)	15	100	95	105	90
	22	120	115	115	105
	32	55	55	55	25
Booster cushion (Group III)	22	45	30	30	25
	32	45	30	30	25

[\*] Max: 300 mm



[7.1.4.] Dynamic test

All the parts have undergone the necessary conditioning test before the dynamic test.

Configuration	Integral (Group I)		limit
	1	2	
Frontal impact Test Nr.	1	2	--
Mass of manikin [kg]	9	15	--
CRS Installation	Upright	Upright	
Velocity change [km/hr]	50,8	51,1	<b>50 - 52</b>
Resultant chest acceleration [g]	45,9	44,83	<b>55</b>
Time over 55g [ms]	0	0	<b>3</b>
Vertical chest acceleration [g]	19,68	9,98	<b>30</b>
Time over 30g [ms]	0	0	<b>3</b>
Abdominal penetration	None	None	<b>absence</b>
Head manikin displacement from Cr			
Horizontal [mm]	362	452	<b>550</b>
Vertical [mm]	539	622	<b>800</b>
Opening force buckle [N]	66	63	<b>80</b>

No failure or breakage has been registered during or after the test

Configuration	Non-integral Child restraint system (Group II,III)			limit
	1	2	3	
Frontal impact Test Nr.	1	2	3	--
Mass of manikin [kg]	15	22	32	--
CRS Installation	Upright	Upright	Upright	--
Velocity change [km/hr]	51,1	51,1	51,5	<b>50 - 52</b>
Resultant chest acceleration [g]	37,86	38,94	35,87	<b>55</b>
Time over 55g [ms]	0	0	0	<b>3</b>
Vertical chest acceleration [g]	18,33	5,6	11,73	<b>30</b>
Time over 30g [ms]	0	0	0	<b>3</b>
Abdominal penetration	None	None	None	<b>absence</b>
Head manikin displacement from Cr				
Horizontal [mm]	406	441	423	<b>550</b>
Vertical [mm]	608	671	799	<b>800*</b>
Opening force buckle [N]	--	--	--	<b>N.A</b>

\*: According the paragraph 7.1.4.4.1.1. of the regulation, the limit is 840 mm when using the largest dummy.

No failure or breakage has been registered during or after the test.



Configuration	Booster cushion (Group III)		limit
Frontal impact Test Nr.	4	5	--
Mass of manikin [kg]	22	32	--
CRS Installation	Upright	Upright	
Velocity change [km/hr]	51,1	50,8	<b>50 - 52</b>
Resultant chest acceleration [g]	45,8	38,47	<b>55</b>
Time over 55g [ms]	0	0	<b>3</b>
Vertical chest acceleration [g]	10,21	10,76	<b>30</b>
Time over 30g [ms]	0	0	<b>3</b>
Abdominal penetration	None	None	<b>absence</b>
Head manikin displacement from Cr			
Horizontal [mm]	395	266	<b>550</b>
Vertical [mm]	667	740	<b>800*</b>
Opening force buckle [N]	--	--	<b>N.A</b>

\*: According to the paragraph 7.1.4.4.1.1. of the regulation, the limit is 840 mm when using the largest dummy.

No failure or breakage has been registered during or after the test

[7.1.5.] Resistance to temperature

**Requirements fulfilled**

[7.2.] Provisions applicable to individual components of the restraint

[7.2.1.] to  
[7.2.1.7.] To Buckle

**The buckle is designed according to the specifications. The buckle release area is coloured in red. The requirements are fulfilled.**

[7.2.1.8.] Opening tests of buckle

[7.2.1.8.1.] Test under load

**Force required to open the buckle after dynamic test: < 80 N**

[7.2.1.8.2.] No-load test

**Force required to open the buckle when it is not under load: 40-80 N**

[7.2.1.9.] Strength

**Requirements fulfilled**

[7.2.2.] Adjusting device

**Requirements fulfilled**

[7.2.3.] Retractors

**Not applicable**

...



[7.2.4.]

Straps

**Requirements fulfilled**

[7.2.5.]

Lock-off device

**Not applicable**

[7.2.5.4] or [7.2.5.5] Class of Lock-off device

**Not applicable**

**2.3.**

**Remarks**

Inspection results are only applicable to items, which have been tested.

**2.4.**

**Test facilities**

Calibration of measuring and test equipment used to carry out the inspections is in accordance with the EEC-Directive and/or ECE-Regulation stated in 1.1. of this report and with ISO 17025.

Inspectors stated under 2.2. of this report were in charge of performing and/or evaluating the tests.



### **3. Evaluation of test results**

#### **3.1. Variants and equipment covered**

The tests carried out cover the following variations as far as these are relevant for the child restraint system:

- make or trade names as stated in the information document
- mass groups as stated in the information document
- versions (or commercial references) as stated in the information document
- buckles as stated in the information document

#### **3.2. Remarks**

##### **3.2.1. Main report:**

**Not applicable**



4. **Statement of compliance**

The inspections items and measurements carried out have shown the compliance of the vehicle type described in this report and the attached Annex with the requirements of ECE-Regulation No. 44 including Corrigendum 3 to revision 2, Supplement 4 to the 04 series of amendments, which entered into force on November 11, 2009.

Shanghai, P.R China, 13 December 2010

Luxcontrol s.a.  
Service Homologation-automobile

Romain Limpach  
Ingénieur-Inspecteur

Bill Cheng  
Ingénieur-Inspecteur

**Annex**



Index to the information package, including a summary in chronological order, concerning extensions and/or amendments

**EEC type-approval No.: E13\*44R00\*44R04\*--\*00**

---

### **Main Report**

Technical Report No.: LCA 51 0818 003 10 Page 1 to 10

Composition of the Annex:

A: Index

Page 1

B: Information folder

Pages 1 to 28

### **Index to the information folder:**

- manufacturer's information document (pages 1)
  - Declaration of toxicity and flammability (page 2)
  - drawings of the child restraint system and approval label (pages 3 to 16)
  - Declaration for Control of Production procedure (page 17 to 18)
  - user manual example (pages 19 to 28)
-

## Ningbo Xiangshuo Children Product Co., Ltd.

Ministry for Sustainable  
Development and Infrastructure - Transport  
19-21 Bd Royal  
L-2449 Luxembourg

Subject: Technical description Child restraint system "bxs-208" Group I,II,III

Child restraint system BXS-208 is suitable for children weighting from 9 up to 36kg, group I,II,III, made of seat unit and removable backrest.

Seat unit and backrest are made of high density blow moulded polyethylene.

Backrest is secured to seat unit with a owned rotating shaft system..

When used as group I (from 9 to 18 Kg). child can be secured to the Child restraint system (with backrest) thanks to the five point harness with central adjusting mechanism included in the Child restraint system.

When used as group II, III (from 15 to 36 Kg), child can be secured to the Child restraint system (with backrest) thanks to the 3 point safety belt.

When used as group III (from 22 to 36 Kg), child can be secured to the Child restraint system (without backrest) thanks to the 3 point safety belt.

Child restraint system is fixed to the vehicle thanks to the 3 point safety belt as forward facing.

The routing label is placed on the side of the seat cover, and it includes the instructions to fix the Child restraint system into the vehicle.

The following brands will be used for this Child restraint system:

Becare

Commercial description (CRS trade mark identification):

N/A

Faithfully yours

Sun Tejiang / General Manager  
Ningbo Xiangshuo Children Product Co., Ltd.



ADD: NO.11,Mayu Road,Shengnan Village,Shengshan Town,Cixi,Ningbo  
City,Zhejiang Prov.China  
TEL: 0574-63544448 FAX: 0574-6322323



## Ningbo Xiangshuo Children Product Co., Ltd.

Ministry for Sustainable  
Development and Infrastructure - Transport  
19-21 Bd Royal  
L-2449 Luxembourg

Subject: Declaration conformity requirement

### TOXICITY and FLAMMABILITY DECLARATION

We hereby declare that the materials used to manufacture the child restraint system BXS-208 and that are accessible to the restrained child are in conformity with the requirements of ECE 44/04 regulation, par.6.1.5.concerning toxicity.

We hereby declare that the materials used to manufacture the child restraint system BXS-208 and that are accessible to the restrained child are in conformity with the requirements of ECE 44/04 regulation, par.6.1.6.concerning flammability.

Faithfully yours

Sun Tejiang / General Manager

Ningbo Xiangshuo Children Product Co., Ltd.



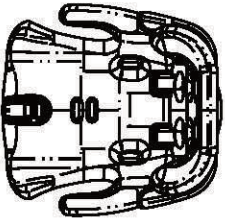
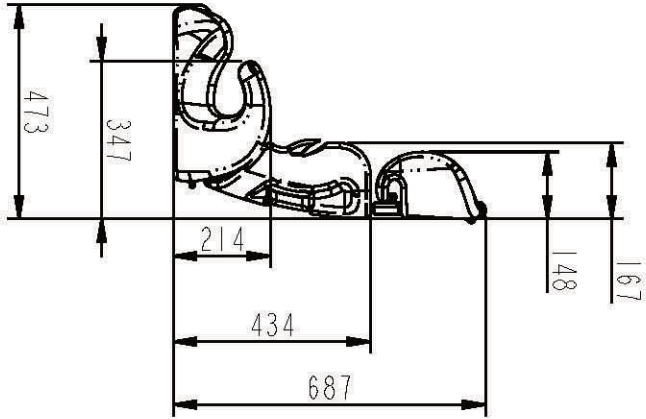
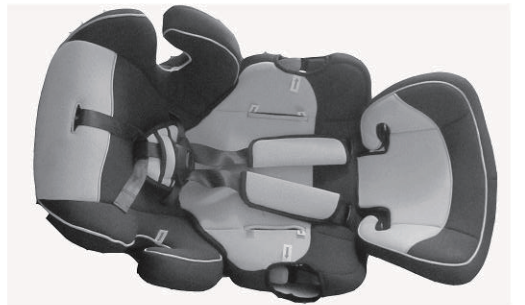
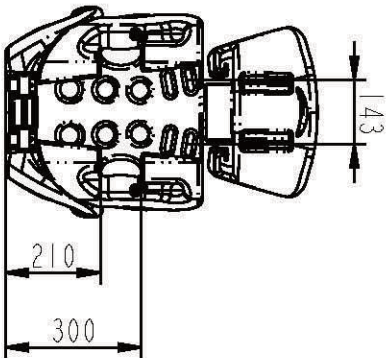
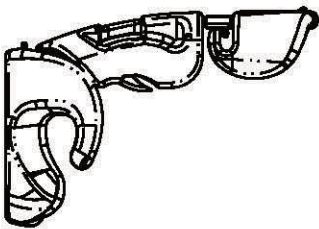
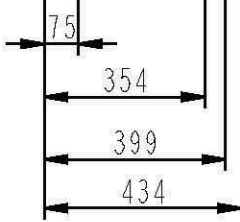
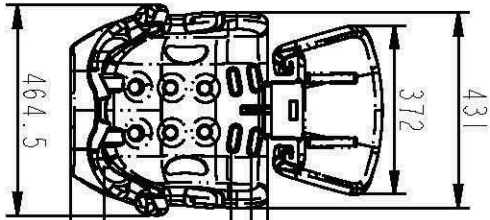
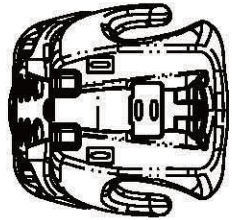
地址: 浙江省宁波市慈溪市胜山镇胜南村马余路 11 号

ADD: NO.11,Mayu Road,Shengnan Village,Shengshan  
Town,Cixi,Ningbo City,Zhejiang Prov.China

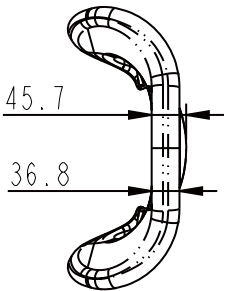
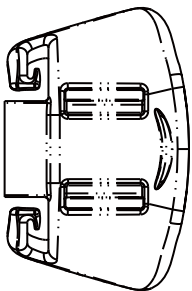
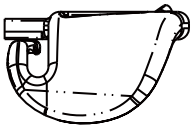
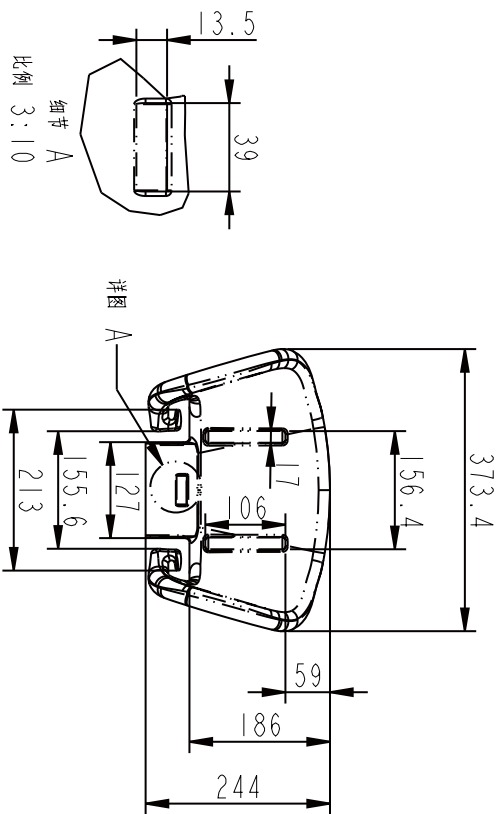
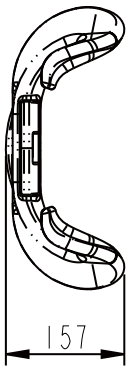
TEL: 0574-63544448 FAX: 0574-6322323

HTTP: www.China-babycarseat.com;www.xs-babycarseat.com

PC: 315323



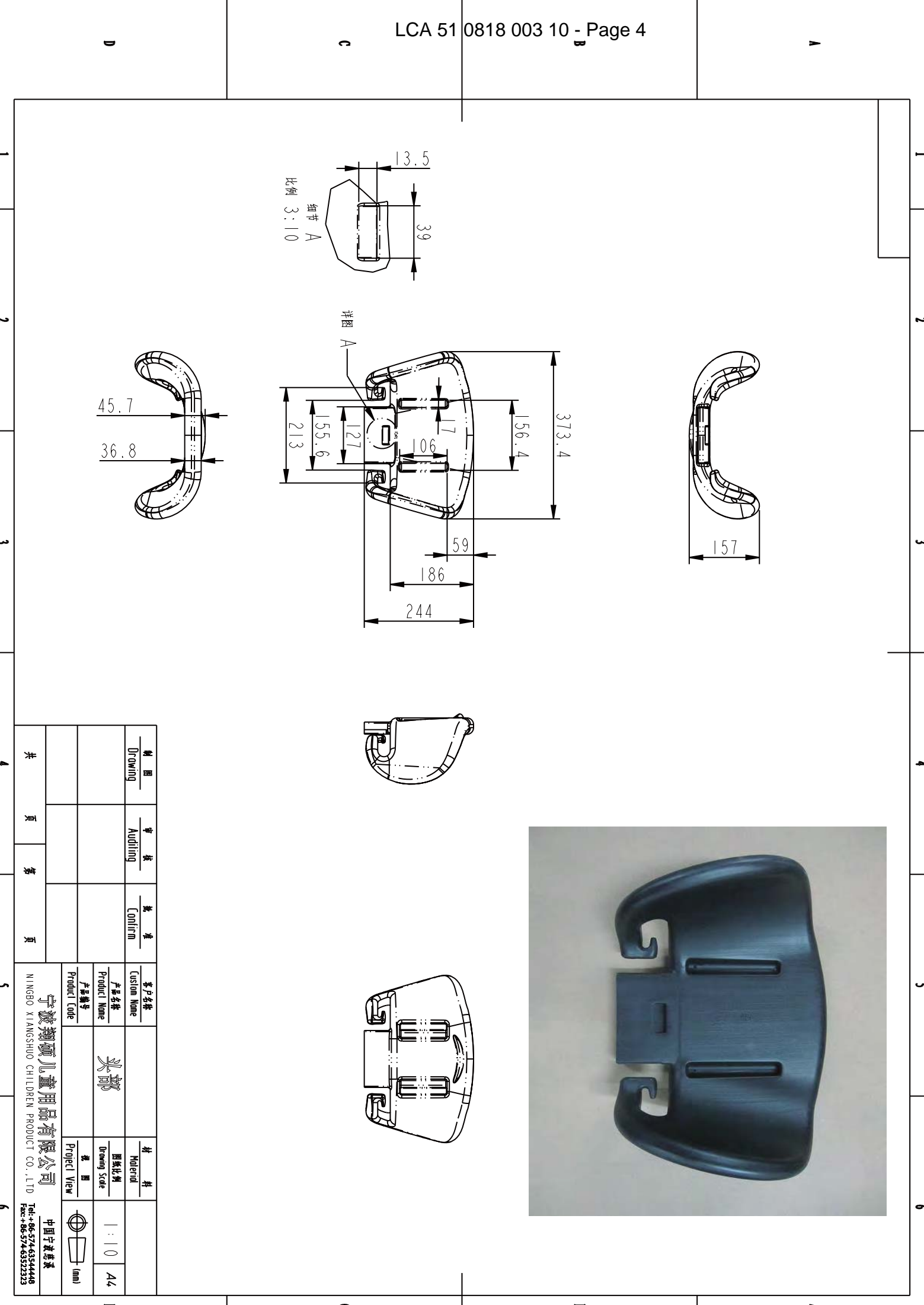
图号 Drawing	审核 Auditing	确认 Confirm	客户名称 Customer Name	材料 Material
			产品名称 Product Name	图数比例 Drawing Scale
			产品型号 Product Code	6:100
			项目编号 Project Code	A4
共 页	第 页		宁波翔硕儿童用品有限公司 NINGBO XIANGSHUO CHILDREN PRODUCT CO.,LTD 中国宁波慈溪 Tel: +86-574-63544448 Fax: +86-574-63522223	

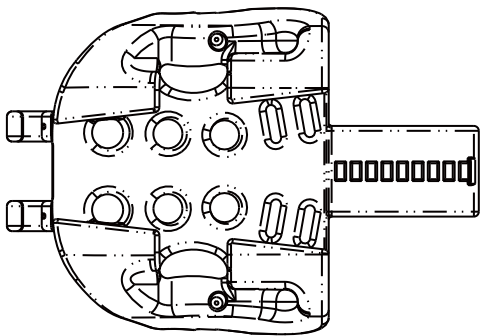
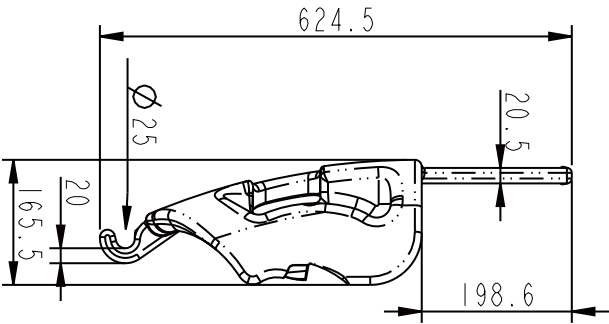
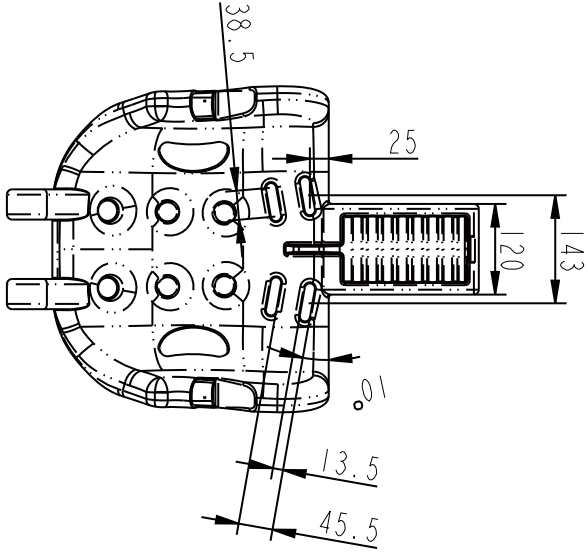
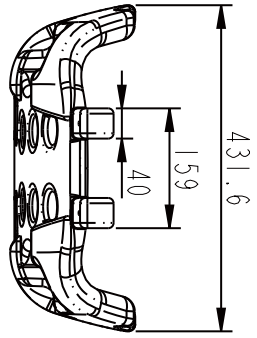


细节 A  
比例 3:10



图 号	图 名	审 核	绘 图	客 户 名 称	材 料
Drawing	Auditing	Confirm	Client Name	Material	
			产 品 名 称	图 纸 比 例	
			Product Name	Drawing Scale	
			产 品 编 号	表 示 图	
			Product Code	Project View	
共 4 页 第 4 页			宁波翔硕儿童用品有限公司 NINGBO XIANGSHUO CHILDREN PRODUCT CO.,LTD 中国宁波慈溪 Tel: +86-574-83544448 Fax: +86-574-83522323		





图号 Drawing	审核 Auditing	核准 Confirm	客户名称 Customer Name	材料 Material
			产品名称 Product Name	图样比例 Drawing Scale
			产品编号 Product Code	视图 Project View
共 4 页 第 4 页			宁波翔硕儿童用品有限公司 NINGBO XIANGSHUO CHILDREN PRODUCT CO., LTD 中国宁波慈溪 Tel: +86-574-63544448 Fax: +86-574-63522223	

D

C

B

A

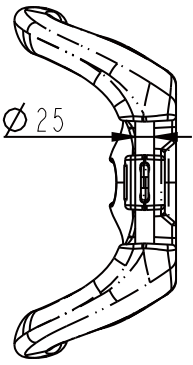
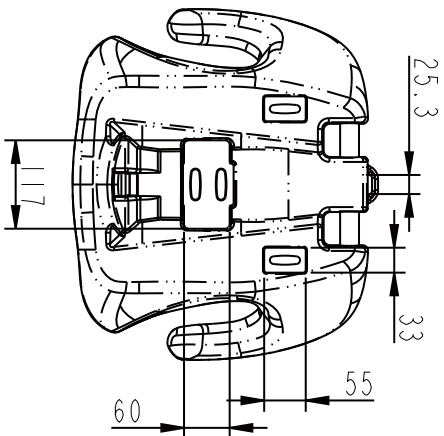
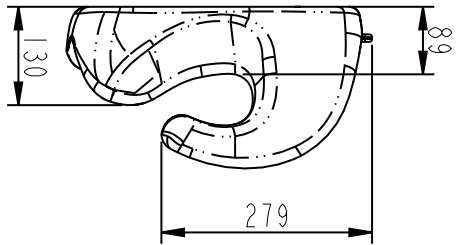
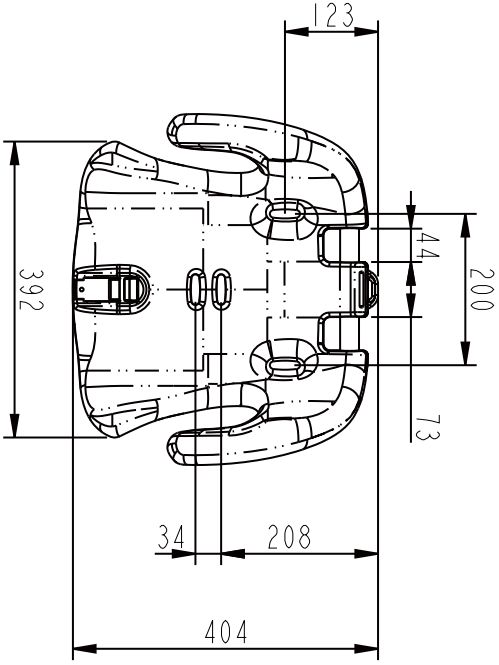
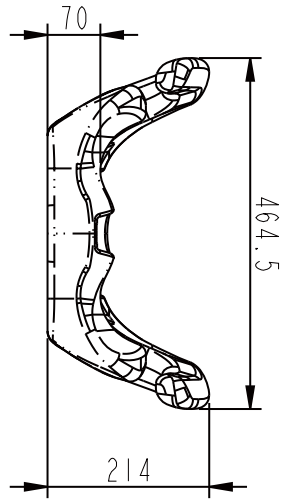
D

C

B

A

1 2 3 4 5 6



图号	审核	确认	客户名称	材料
Drawing	Auditing	Confirm	Customer Name	Material
			产品名称	图样比例
			Product Name	Drawing Scale
			产品编号	视图
			Product Code	View
			项目代号	比例
			Project Code	Scale
				1:10
				A4
				1:10
				(mm)

宁波翔硕儿童用品有限公司  
NINGBO XIANGSHUO CHILDREN PRODUCT CO.,LTD

中国宁波慈溪  
Tel: +86-574-63544448  
Fax: +86-574-63522223

共 页 第 页

1 2 3 4 5 6

A

B

C

D

1 2 3 4 5 6

NEW\_VIEW\_14

NEW\_VIEW\_14

详图 A

38  
540

66

NEW\_VIEW\_13

NEW\_VIEW\_13

NEW\_VIEW\_15

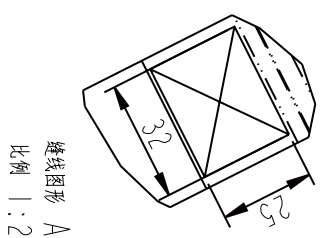
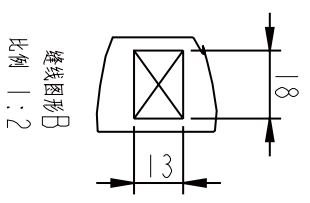
NEW\_VIEW\_15

127

详图 B

25

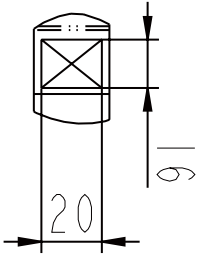
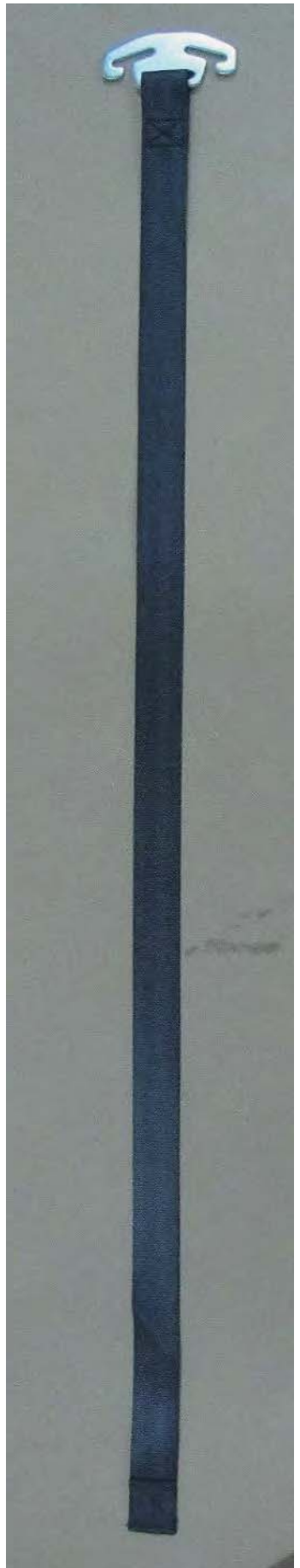
75  
77  
127



图号	审核	客户名称	材料
Drawing	Auditing	Customer Name	Material
		产品名称	图样比例
		Product Name	Drawing Scale
		产品编号	表号
		Product Code	Project View
			比例
			图幅
			(mm)

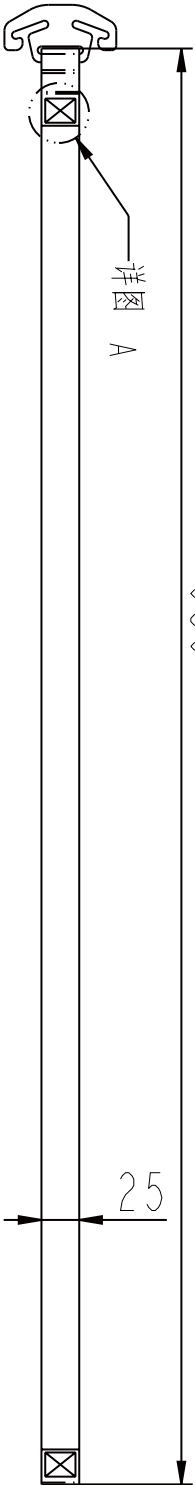
宁波翔硕儿童用品有限公司  
NINGBO XIANGSHUO CHILDREN PRODUCT CO., LTD  
中国宁波慈溪  
Tel: +86-574-63544448  
Fax: +86-574-63522223

共 页 第 页

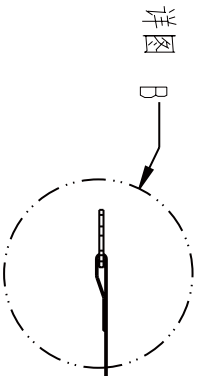


缝线图形 A  
比例 2:5

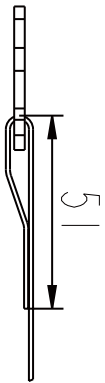
950



详图 A

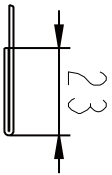


详图 B



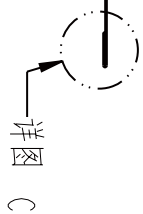
细节 B

比例 1:2



细节 C

比例 1:2



详图 C

图号 Drawing	审核 Auditing	核准 Confirm	客户名称 Customer Name	材料 Material
			产品名称 Product Name	图样比例 Drawing Scale
			产品编号 Product Code	视图 Project View
共 4 页	第 4 页		宁波翔硕儿童用品有限公司 NINGBO XIANGSHUO CHILDREN PRODUCT CO.,LTD 中国宁波慈溪 Tel: +86-574-83544448 Fax: +86-574-83522223	

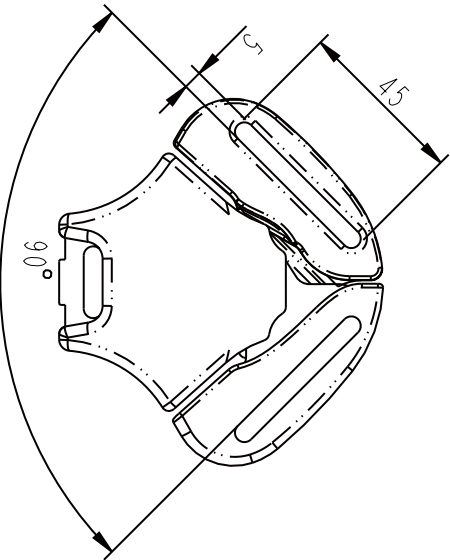
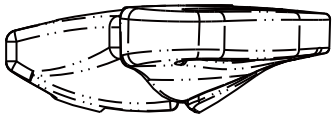
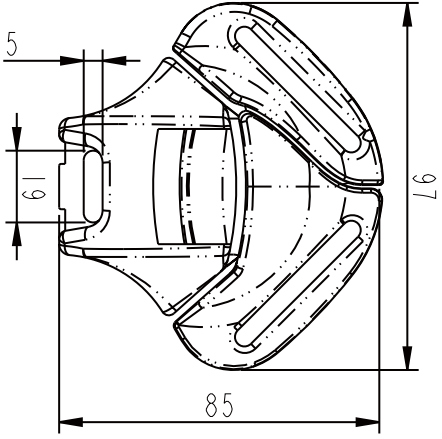
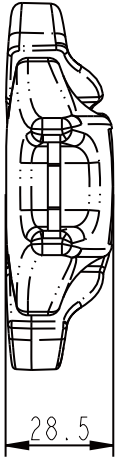


图 号	客户名称	材 料	比例	图 号	材 料
Drawing	Customer Name	Material	Drawing Scale	Drawing	Material
	宁波翔硕儿童用品有限公司		1:2		
审 核	产 品 名 称	图 纸 比 例	图 号	材 料	图 号
Auditing	Product Name	Drawing Scale	Project View	Material	Drawing
	拔扣				
确 定	产 品 编 号	图 号	材 料	图 号	材 料
Confirm	Product Code	Project View	Project View	Drawing	Material
共					
页					
第					
页					

宁波翔硕儿童用品有限公司  
NINGBO XIANGSHUO CHILDREN PRODUCT CO., LTD

中国宁波慈溪  
Tel: +86-574-83544448  
Fax: +86-574-83522223

D

C

B

A

1

2

3

4

5

6

1

2

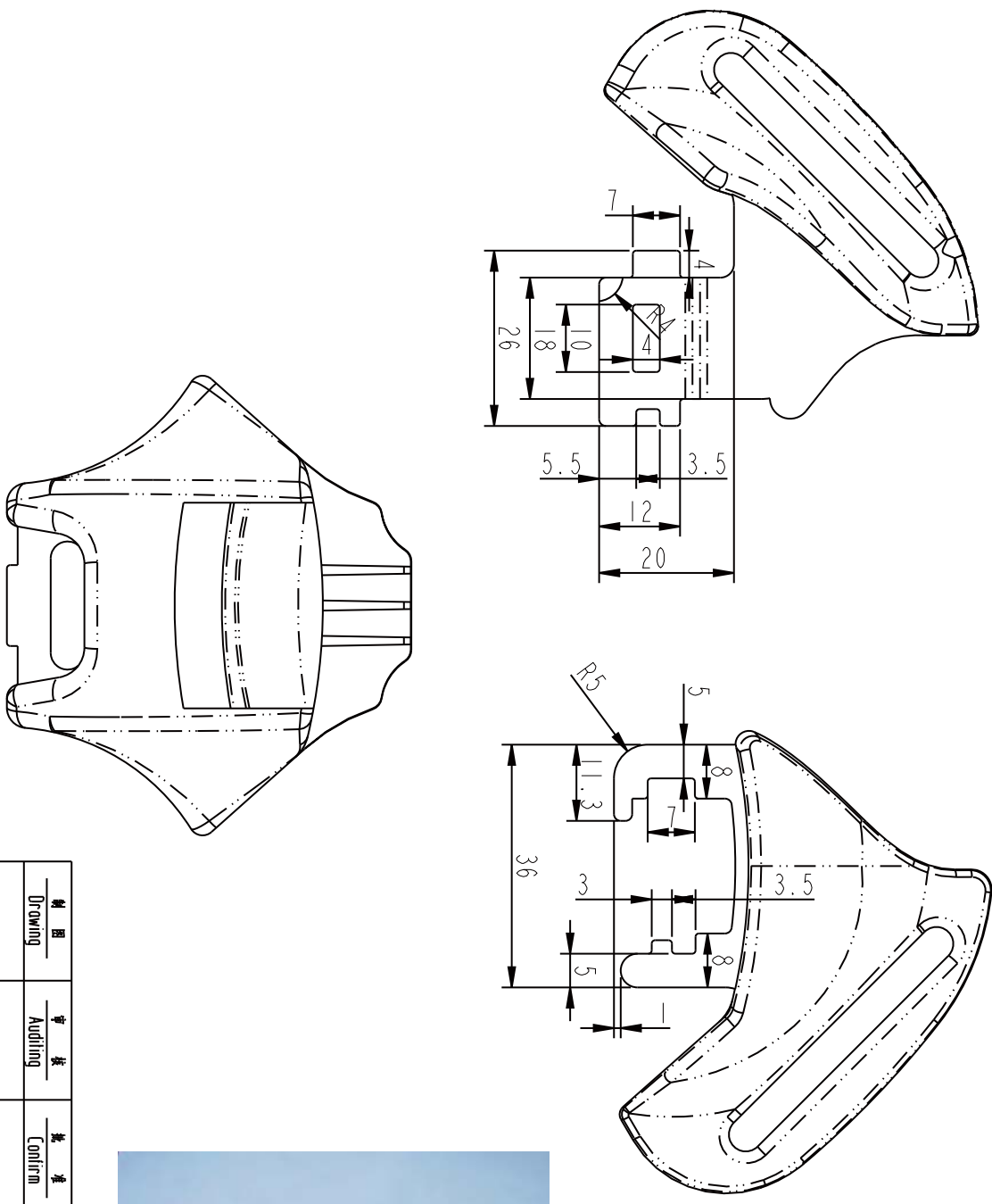
3

4

5

6





制 图 Drawing	审 核 Auditing	绘 准 Confirm	客 户 名 称 Customer Name	材 料 Material
			产 品 名 称 Product Name	图 纸 比 例 Drawing Scale
			产 品 编 号 Product Code	1 : 1
				图 示 Project View
				中国宁波慈溪
				NINGBO XIANGSHUO CHILDREN PRODUCT CO.,LTD
				Tel: +86-574-83544448
				Fax: +86-574-83522223

共 页 第 页

D

C

B

A

1

2

3

4

5

6

1

2

3

4

5

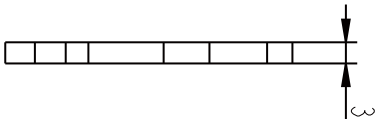
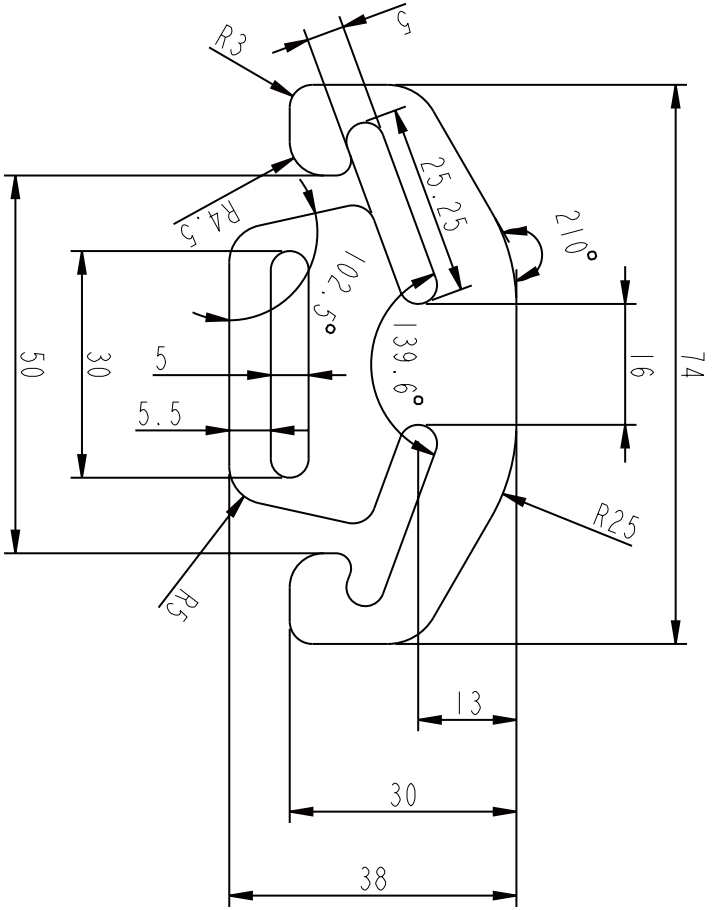
6

D

C

B

A



客户名称 Customer Name	审核 Auditing	确认 Confirm	材料 Material
产品名称 Product Name	共 共	页 页	蝴蝶扣
产品编号 Product Code	第 第	页 页	图幅比例 Drawing Scale
项目代码 Project Code	共 共	页 页	1:1
宁波翔硕儿童用品有限公司 NINGBO XIANGSHUO CHILDREN PRODUCT CO.,LTD			中国宁波慈溪
Tel: +86-574-83544448 Fax: +86-574-83522223			A4

1 2 3 4 5 6

A B C D

A

B

C

D

1

2

3

4

5

6

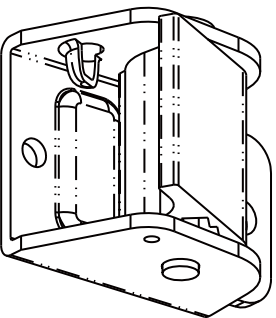
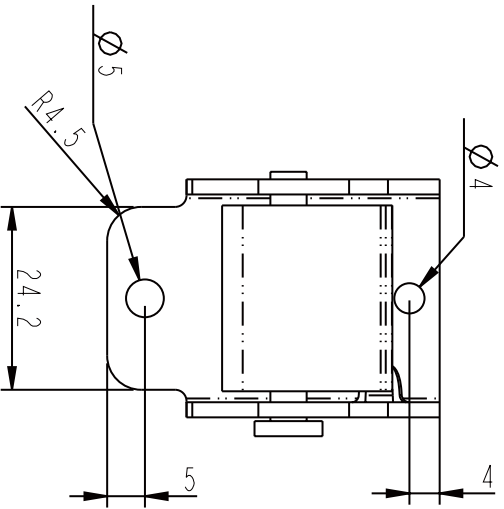
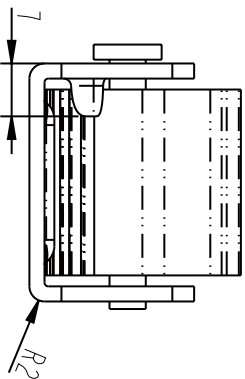
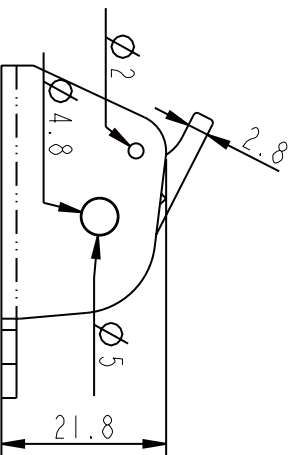
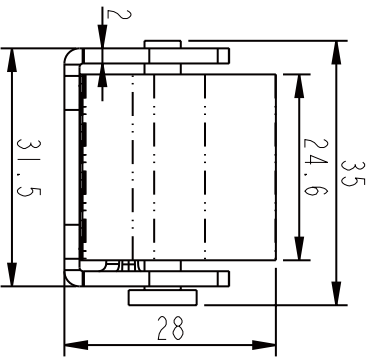
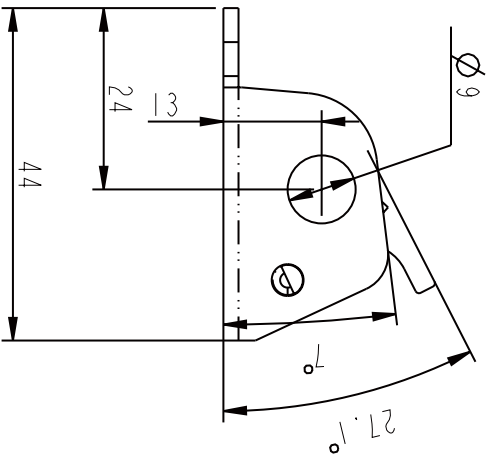


图 号 Drawing	审 核 Auditing	绘 图 Conifirm	客 户 名 称 Customer Name	材 料 Material
			产 品 名 称 Product Name	图 纸 比 例 Drawing Scale
			产 品 编 号 Product Code	1 : 1
			项 目 编 号 Project Code	A4
共 页 第 页			中国宁波慈溪	
			NINGBO XIANGSHUO CHILDREN PRODUCT CO.,LTD	
			Tel: +86-574-83544448	
			Fax: +86-574-83522223	

D

C

B

A

1

2

3

4

5

6

A

C

D

1

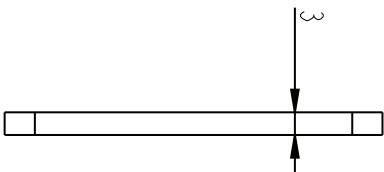
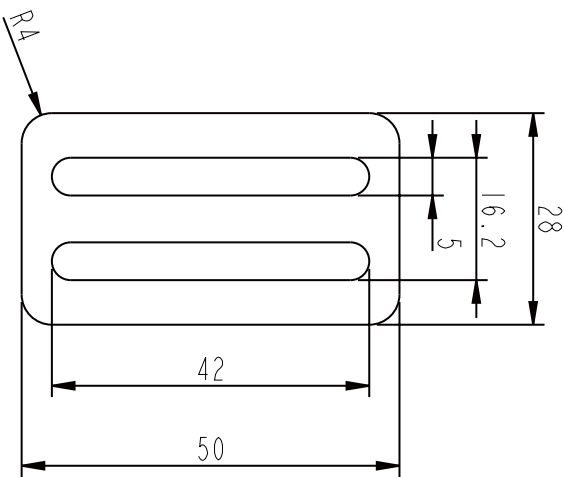
2

3

4

5

6



共 4 页 第 4 页	客户名称 Customer Name	材料 Material
	产品名称 Product Name	图样比例 Drawing Scale
	产品编号 Product Code	视图 Project View
	审核 Check	中国宁波慈溪 China Ningbo Cixi
	批准 Confirm	中国宁波慈溪 China Ningbo Cixi
	单 核 Auditing	中国宁波慈溪 China Ningbo Cixi
	制 图 Drawing	中国宁波慈溪 China Ningbo Cixi

D

C

B

A

1

2

3

4

5

6

A

B

C

D

1

2

3

4

5

6

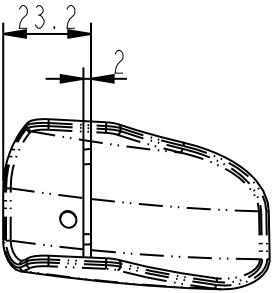
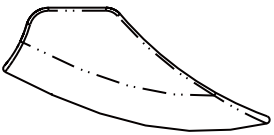
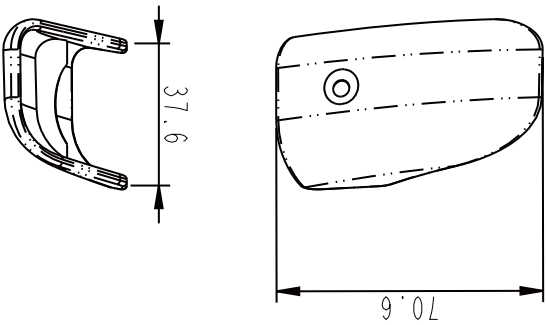
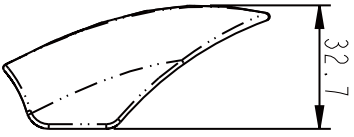


图 号	图 名	图 号	图 名	图 号	图 名
—	Drawing	—	Auditing	—	Confirm
共	页	第	页		

客户名称	客户名称	材料	材料
—	Customer Name	—	Material
产品名称	产品名称	图样比例	图样比例
—	Product Name	—	Drawing Scale
	安全带导向件/左		1:2
产品编号	产品编号	表 示	表 示
—	Product Code	—	Project View

宁波翔硕儿童用品有限公司	中国宁波慈溪
NINGBO XIANGSHUO CHILDREN PRODUCT CO.,LTD	Tel: +86-574-83544448
	Fax: +86-574-83522223

D

C

B

A

1

2

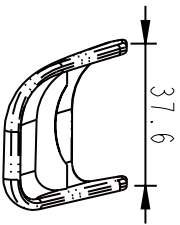
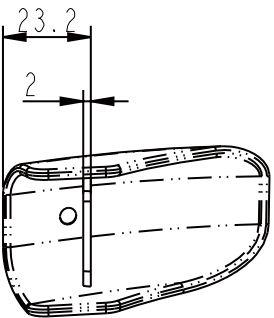
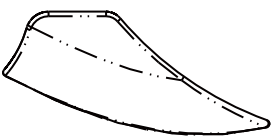
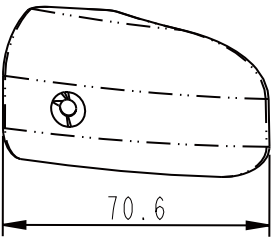
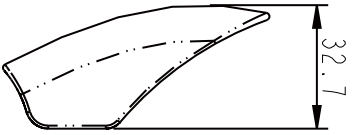
3

4

5

6

A



C

D

图号	客户名称	材料
— Drawing	— Customer Name	— Material
	— 产品名称	— 图样比例
	— Product Name	— Drawing Scale
	— 产品编号	— 视图
	— Product Code	— Project View
共	宁波翔硕儿童用品有限公司	
页	NINGBO XIANGSHUO CHILDREN PRODUCT CO., LTD	
第	中国宁波慈溪	
页	Tel: +86-574-83544448	
	Fax: +86-574-83522223	

1 2 3 4 5 6

1 2 3 4 5 6

A

B

C

D



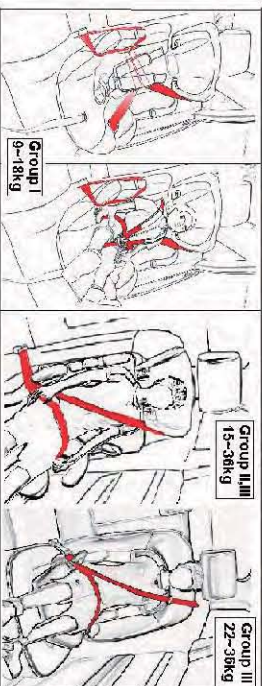
ECE R44/04  
 UNIVERSAL  
 9-18kg Y  
 UNIVERSAL  
 15-36kg  
**E13**  
 XXXXXX  
 GROUP I, II, III



Seat belt guide label



E-mark label



图号	变更	审核	客户名称	材料
Drawing	Adding	Confirm	Custom Name	Material
			产品名称	图数比例
			Product Name	Drawing Scale
			产品编号	视图
			Product Code	Project View
宁波翔狮儿童用品有限公司 NINGBO XIANGSHUO CHILDREN PRODUCT CO., LTD 中国宁波镇海 Tel: +86-574-63544448 Fax: +86-574-63522223			A4 (mm)	

1 2 3 4 5 6

## Ningbo Xiangshuo Children Product Co., Ltd.

Ministry for Sustainable  
Development and Infrastructure - Transport  
19-21 Bd Royal  
L-2449 Luxembourg

Subject: Declaration for COP

We, declare that for BXS-208 we will use the batch control system for Conformity of Production, according to ECE 44/04, annex 16, par. 2.2.1. (for batch control)

Faithfully yours

Sun Tejiang / General Manager

Ningbo Xiangshuo Children Product Co., Ltd.



地址: 浙江省宁波市慈溪市胜山镇胜南村马余路 11 号

ADD: NO.11,Mayu Road,Shengnan Village,Shengshan  
Town,Cixi,Ningbo City,Zhejiang Prov.China

TEL: 0574-63544448 FAX: 0574-6322323

HTTP: [www.China-babycarseat.com](http://www.China-babycarseat.com);[www.xs-babycarseat.com](http://www.xs-babycarseat.com)

PC: 315323



## Ningbo Xiangshuo Children Product Co., Ltd.

Ministry for Sustainable  
Development and Infrastructure - Transport  
19-21 Bd Royal  
L-2449 Luxembourg

Subject: Declaration on production sites

The undersigned Ningbo Xiangshuo Children Product Co., Ltd. as legal representative of company Ningbo Xiangshuo Children Product Co., Ltd..

with its main offices in No. 11, Mayu Road, Shengnan Village, Shengshan Town, Cixi, Ningbo City, Zhejiang Province, P.R. CHINA.

### DECLARES THAT

Article BXS-208 is produced in our factory in No. 11, Mayu Road, Shengnan Village, Shengshan Town, Cixi, Ningbo City, Zhejiang Province, P.R. CHINA.

Faithfully yours

Sun Tejiang / General Manager



Ningbo Xiangshuo Children Product Co., Ltd.

地址： 浙江省宁波市慈溪市胜山镇胜南村马余路 11 号

ADD: NO.11,Mayu Road,Shengnan Village,Shengshan  
Town,Cixi,Ningbo City,Zhejiang Prov.China

TEL: 0574-63544448 FAX: 0574-6322323

HTTP: www.China-babycarseat.com;www.xs-babycarseat.com

PC: 315323



**BeCare**

[www.xs-babycarseat.com](http://www.xs-babycarseat.com)

# **BXS-208**



**INSTRUCTION FOR BABY SAFETY**

**suitable for 9-36 kgs**

## FORWARD

Thanks for choosing our Child seat BXS-208 to protect your child.

Our company is one of the industry & trade company which focus on selling, researching and producing. Excellent R & D team and advanced production equipment ensure high quality products. We creating our own independent brand Becare while providing OEM service for transnational enterprises and purchasers worldwide. Developing comfortable and safe Child car seats is always the power of our advance .For the safety of children and happiness of your family, we are heading all the time.

## WARNING

Please keep this instruction manual in good condition and read it thoroughly before use. It will help you to install the child car seat correctly. Any incorrect installation shall cause serious injury to your child. The manufacturer is not responsible for any danger caused by improper installation.

### 1. Suitability

According to ECER 44/04, this booster seat BXS-208 is classified as 'universal' child restraint system for Group I,II,III, suitable for children with a body weight between 9kg-36kg.

Masse Group I : 9kg-18kg

Masse Group II :15kg-25kg

Masse Group III: 22kg-36kg



Lap and Diagonal belt  
Correct Fitting  
/Suitable



Lap belt  
Incorrect Fitting  
/Not Suitable

"Only suitable if the approved vehicle are fitted with 3 point safety-belts, approved to UN/ECE Regulation No.16 or other equivalent standards"

### 2.Safety Tips

! Do not install or use this child restraint until you follow closely the installation instructions provided by the child restraint manufacturer.

! This Child restraint is only for forward facing.

! Do not secure your child restraint in vehicle seating position which equipped with airbag.

! Please pay attention to all the red stickers or red plastic parts on the seat, which are the belt routes for installation.

! Any straps holding the restraint to the vehicle should be tight, that any straps restraining the child restrain should be adjusted to the child' s body, and that straps should not be twisted.

! Children can not be left in their child restrant system unattended.

- ! Ensuring that any lap strap is worn low down, so that the pelvis is firmly engaged, shall be stressed.
- ! The device should be changed when it has been subjected to violent stressed in an accident.
- ! Do not make any alteration or additions to the device without the approval of the competent authority.
- ! When the chair is not provided with a textile cover, The chair should be kept away from sunlight, otherwise it may be too hot for your child' s skin.
- ! Any luggage or other subjects liable to cause injuries in the event of a collision shall be properly secured.
- ! The child restraint must not be used without the cover.
- ! The seat cover should not be replaced with any other that the one recommended by the manufacturer, because the cover constitutes an integral part of the restraint performance.
- ! The instructions must be retained on the child restraint for its life period.
- ! Do not use any load bearing contact points other than those described in the instruction and marked in the child restraint.
- ! The rigid items and plastic parts of a child restraint must be located following this instruction and installed that they are not liable,during everyday use of the vehicle to become trapped by a movable seat or in a door of the vehicle.

## KNOW ABOUT YOUR SEAT



## HOW TO USE YOUR SEAT

### Using for Group I (9~18kg)

Setting the shoulder strap and headrest height

Always check if the shoulder strap and headrest set at the right height for your child.

The harness straps must be inserted into the slots lie at shoulder height or just above the shoulder.



If the shoulder belts do not fit your child, please adjust as followings:

Step1. Turn seat around, from the rear of the seat remove straps from metal junction plate.

Step2. Pull straps ends through slots at front of seat and reinsert them in desired slots.

Step3. Check that harness straps are inserted into the same slots on each side of seat and make sure the straps are not twisted



If the headrest height do not fit your child, please adjust as followings:

Step1. Pull or depress the head rest into correct position.

Step2. Check the latch is in the slot.



## Securing the child restraint system

Step1. Place the Child restraint firmly against the back of a forward-facing vehicle seat.

Step2. Thread the seat belt, position the shoulder belt through the shoulder belt guide, place the lap belt under the armrest.

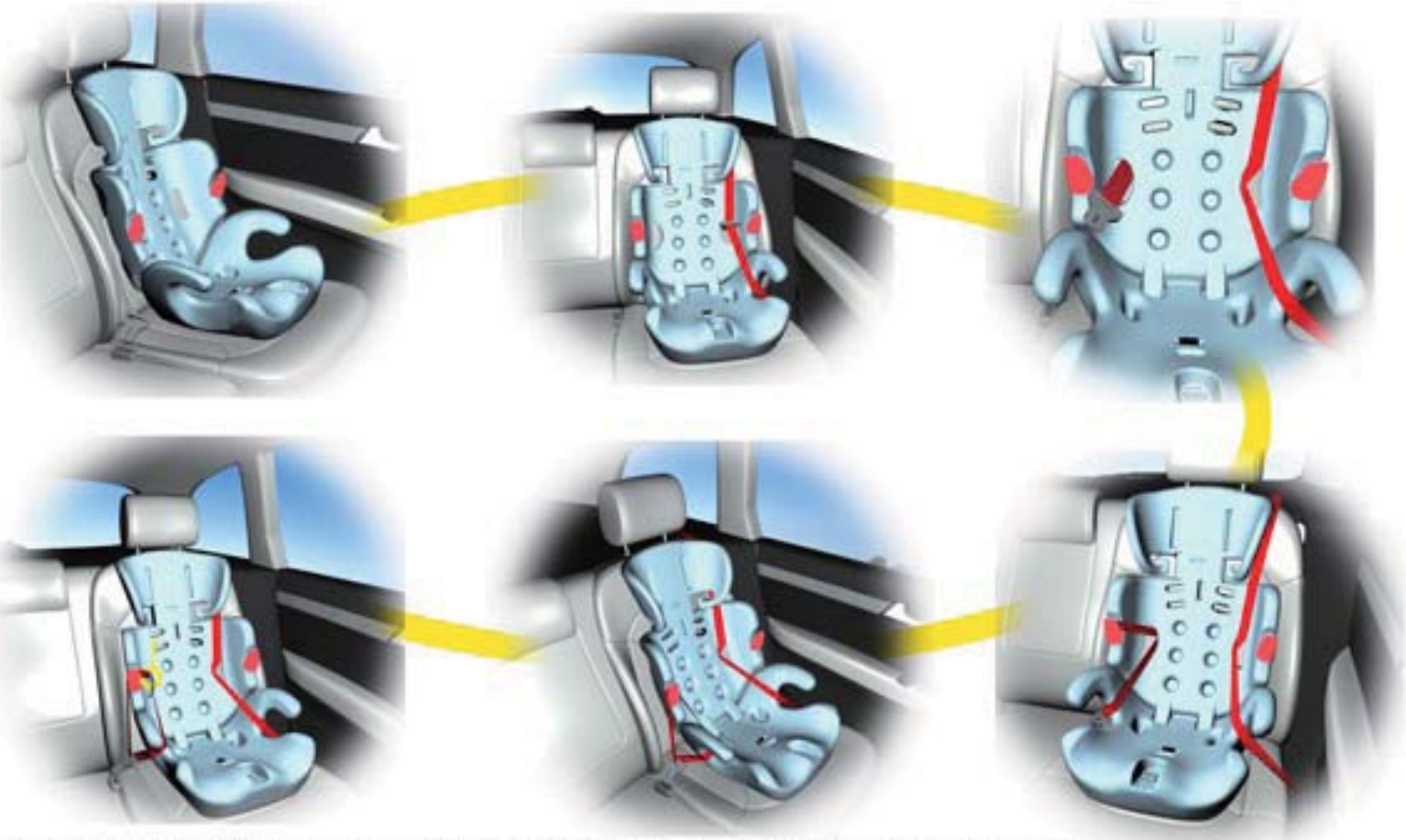
Step3. Put two parts(shoulder and lap belt) into the slots opening from one side to the other side.

Step4. Place the shoulder belt into the shoulder belt guide while the lap belt are positioned under the armrest before buckling the vehicle belt.

Step5. Tighten vehicle seat belt

Push down hard with your knee and pull the diagonal belt along the direction as the picture show.

Safety check for secure installation Perform every time you drive with your child. Twist and pull child restraint forward and to both sides to make sure the vehicle belt does not lengthen or loosen and the child restraint does not easily move.



\*To release the child restraint system following the above instructions in reverse order.

## Adjusting the harness



---Tighten the harness

You can tighten the harness strap by pulling the adjustment strap in central adjusting mechanism on the front of the child restraint system.



----Loosening the harness

The harness is slacked by adjuster (under the seat cover) on the front of the child restraint system. Press down on the adjuster (above strap) with one hand, and pull the shoulder strap toward you with your other hand to loosen the harness.

----Securing the child into child restraint system

Adjust the harness system snugly every time you place your child in the child restraint.

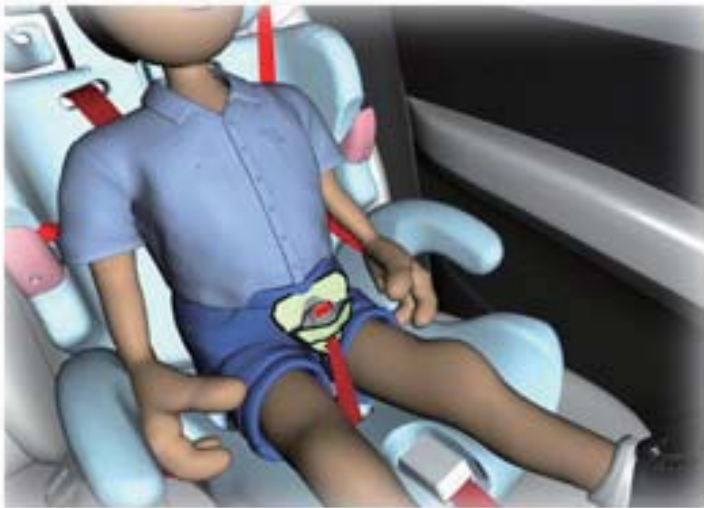
Step1. Put your child into child restraint system.

Step2. Adjust the shoulder straps and headrest height (see items Securing the child restraint system).

Step3. Check no straps is twisted and then lock the buckle until click.

Step4. Tighten the harness strap as tightly as possible without causing discomfort to your child.

\*To release your child following the above instructions in reverse order.



----Using of the buckle

1. Put the two metal parts together, make sure it is flat after combination.
2. Put the two parts into the buckle slot, it is buckled when you hear a "click".
3. Press the red button in the centre of the buckle, you can release the buckle.



## 2. Using for Group II, III (with backrest, 15~36kg)

Warning: The harness system must be removed when using for Group II, III.

### Remove the harness

1. Open harness buckle, face the rear of the seat and remove the belt straps from metal junction plate.
2. Pull the strap retainer on bottom of seat, up through slot.
3. Grasp the crotch strap buckle and shoulder strap, pull it completely out.



### Securing your child in the child seat

Step1. Place the child restraint firmly against the back of a forward-facing vehicle seat.

Step2. Place your child into child restraint and make sure that child's back flat against the backrest of child restraint.

Step3. Pull out the 3 point vehicle safety belt, place the diagonal belt goes through the adult belt guide on the side of the headrest.

Place the lap belt and diagonal belt trough adult belt guide with red mark under armrest.

Then insert the buckle tongue in the belt buckle.



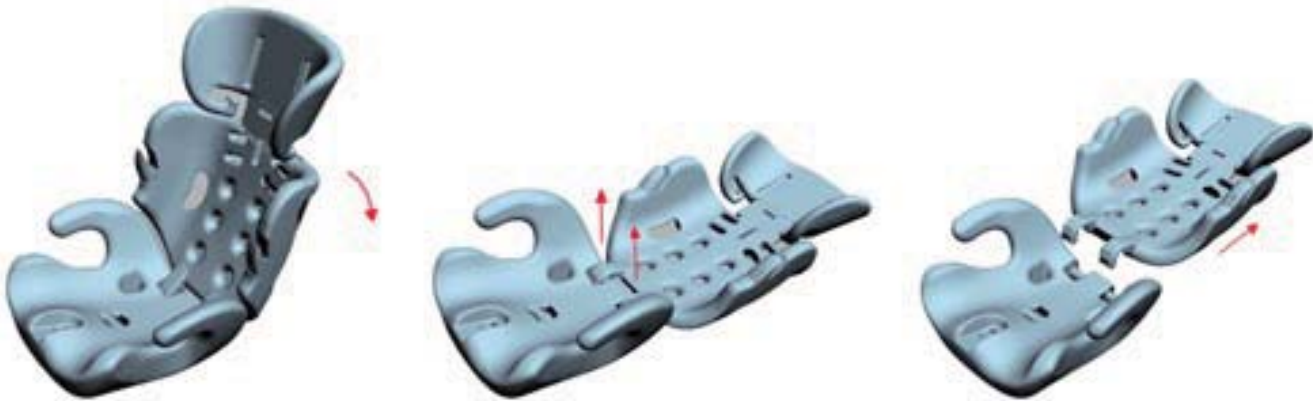


### 3.Using for Group III (without backrest, 22~36kg)

#### Remove the backrest from booster cushion

Step1.Press booster cushion firmly, then push backrest down.

Step2.Pull backrest up, backrest will come out from joint position.



#### How to use your booster cushion



Step 1 Place the child booster firmly against the back of vehicle seat.



Step 2 Place your child on the booster seat, make sure that your child's back firmly against to the car seat.



Step 3 Pull out the lap and diagonal belt and position them through belt guides with red mark. Position the lap section of the safety belt under both armrests, then insert the buckle tongue in the belt buckle.

1. Remove the harness system.
2. Push the back support to release the back support from base and low it into a flat position.
3. Now you can remove the seat covers.

To replace the cover please reverse the producer.

Use only neutral detergent and warm water to wash, no bleach.

Do not wash by machine, never iron the cover with high temperature, spin-dry or tumble dry are not recommended.



Machine wash, cold



Do not bleach



Do not wring



Do not tumble dry



Do not iron

## NOTICE

- This is a "universal" child restraint. It is approved to Regulation No.44.04 series of amendments, for general use in vehicle and it will fit most, but not all, car seats.
- A correct fit is likely if the vehicle manufacturer has declared in the vehicle handbook that the vehicle is capable of accepting a "universal" child restraint for this age group.
- This child restraint has been classified as "universal" under more stringent conditions than those which applied to earlier design which do not carry the notice.
- If in doubt, consult either the child restraint manufacturer or the retailer.

## **CONTACT**

Please contact our customer service department with any questions you may have concerning parts, use, or maintenance. When you contact us, please have your products model and manufactured in ready so that we may help you efficiently.

Ningbo Xiangshuo Children Product Co.,Ltd,

No.11, Mayu Road, Shengnan Village, Shengshan Town, Cixi City,

Ningbo, China.

China:00860-800-957-4571